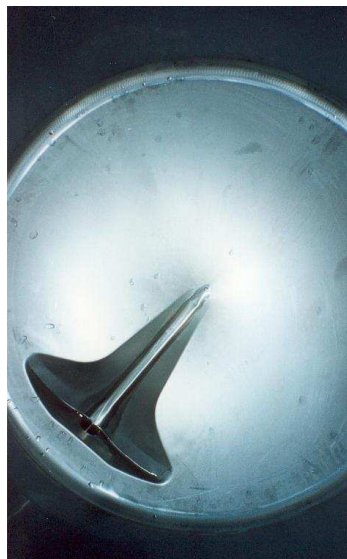




exterior view



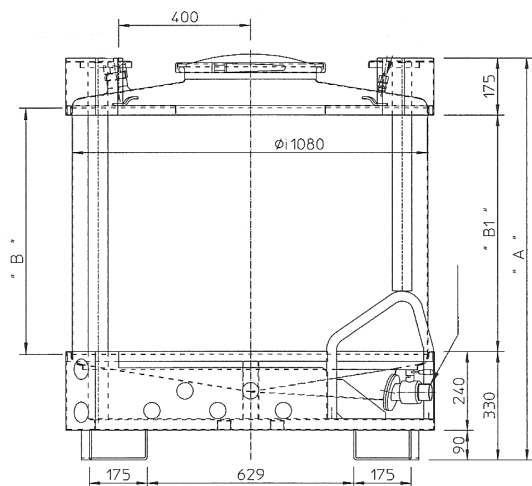
interior view

brand new **STACKABLE CONTAINERS - Type PLO**

with UN-dangerous goods authorization
 packing group II + III/GGVS-GGVE-GGVSee/ADR-RID A.6
 cage of mild steel, galvanized
 basic dimensions 1.120 mm x 1.120 mm
 container can be accessed by forklift or by lift truck from all 4 sides
 container completely filled is 1:1 stackable

- tank volume: 500 / 750 / 995 / 1.250 litres

- material 1.4301 (Aisi 304) alternatively 1.4401 (Aisi 316)
- surface III c - bright-rolled
- welding seams are carried out by automatic welding process subsequently pickled and passivated in- and outside
- cylinder with only one longitudinal welding seam
- lower bottom conically compressed from one piece
- with outlet bead and stainless steel ball-valve 2" male thread and stainless steel cap
- upper bottom incl. manhole hoop compressed from one piece
- manhole DN 400, with hinged cover, hinge, handle and quick locking
- 1 nozzle 1/2" with safety valve for overpressure 0,49 bar of stainless steel
- 1 breathing nozzle 2", with cap, of stainless steel



Type	Litres	Height	Material 1.4301 Price in €	Material 1.4401 Price in €
PLO 500	565	975	1.415,--	1.695,--
PLO 750	794	1225	1.480,--	1.795,--
PLO 995	997	1445	1.565,--	1.895,--
PLO 1250	1.251	1725	1.735,--	2.295,--

Prices ex works, tax excl.

Legend		
	equivalent to	equivalent to
V2A	AISI 304	1.4301
V4A	AISI 316	1.4401