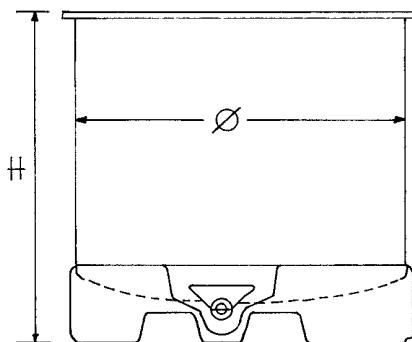
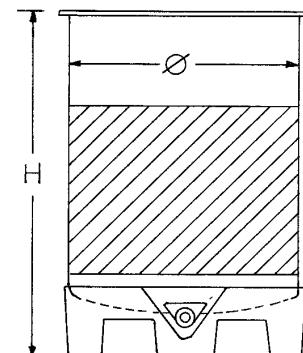


brand new open Vertical Tanks of stainless steel



- material 1.4301
- inner surface III d ( high gloss )
- marbled on the outer side
- on request with jacket (heating/cool.)  
working pressure : water max. 5 bar  
steam max. 5 bar  
jacket nozzles AG R 1" (male thread)
- tank outlet DN 50
- PE-transport-/bearing pedestal



Volume litres	Ø mm	Height mm	Price without jacket €	Price with jacket €	Price Cover €
550	820	1.315	1.020,--	1.490,-- (1,5m <sup>2</sup> )	75,--
750	1.000	1.218	1.300,--	1.960,-- (1,9m <sup>2</sup> )	160,--
1.150	1.200	1.218	1.575,--	2.360,-- (2,3m <sup>2</sup> )	200,--

Prices ex works, tax excl.

Legend		
	<i>equivalent to</i>	<i>equivalent to</i>
V2A	AISI 304	1.4301
V4A	AISI 316	1.4401